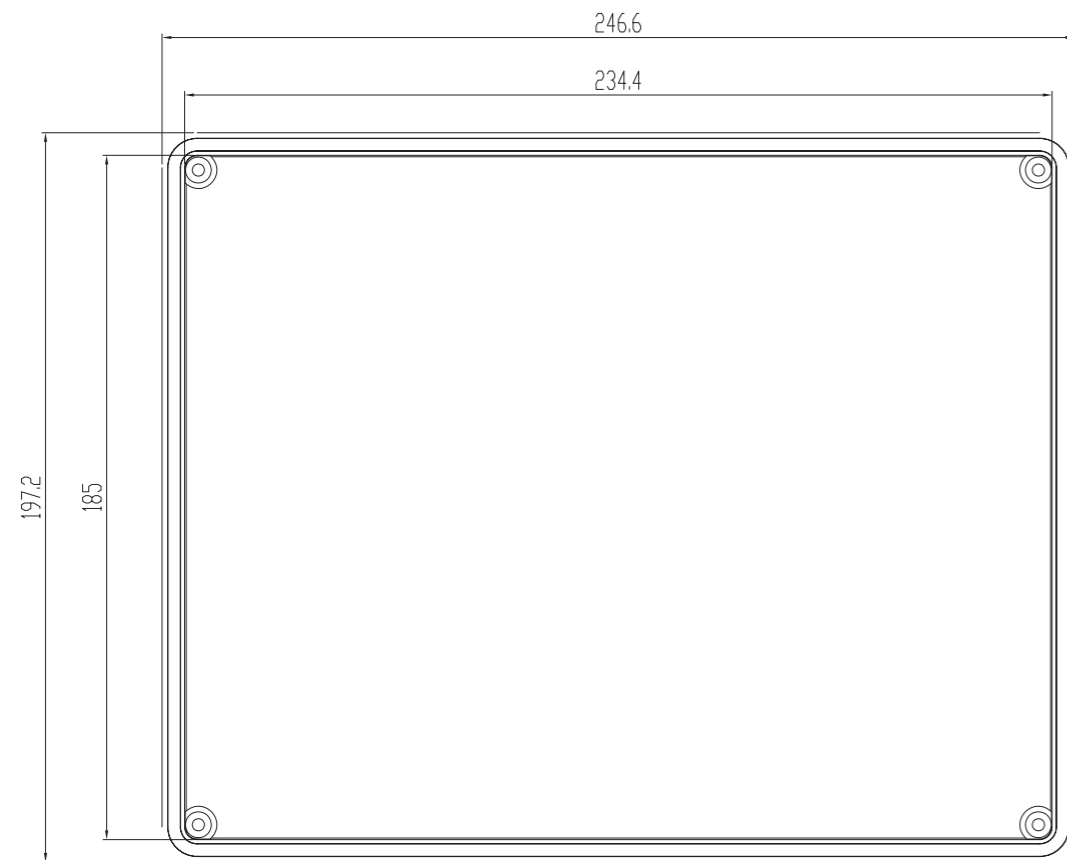
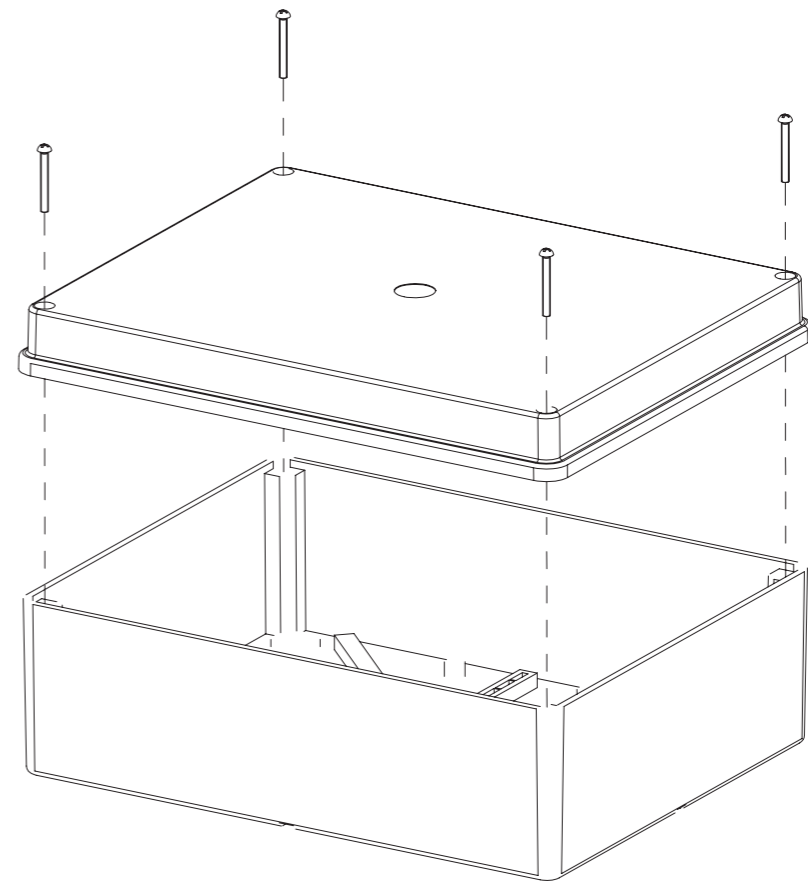


Side view of the assembly



Top view of the cover



All dimensions are millimeter	
Use dimensions only, do not scale	
Projection type	
Product No.	en-spe-10-53